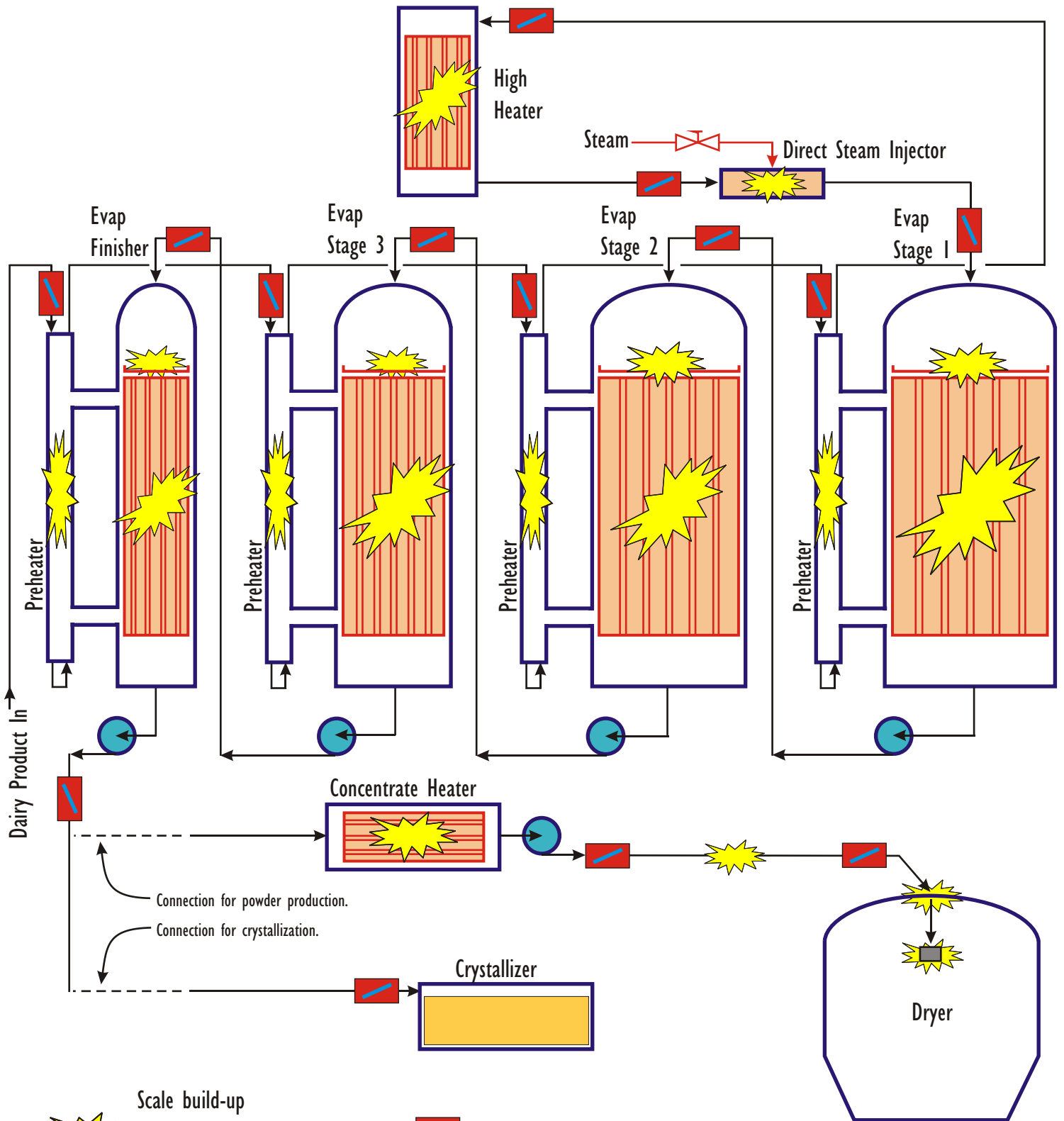



Schematic Diagram of a Dairy Process Evaporator Feeding a Dryer or Crystallizer.

Typical Locations of FSUs are Shown.

Depending on the severity of the scale problem, FSUs may be required before each scaling point or may treat more than one scaling point.



 Scale build-up
(A mixture of calcium salts, protein, lactose and fats, etc...)

 Fluid Stabilization Units